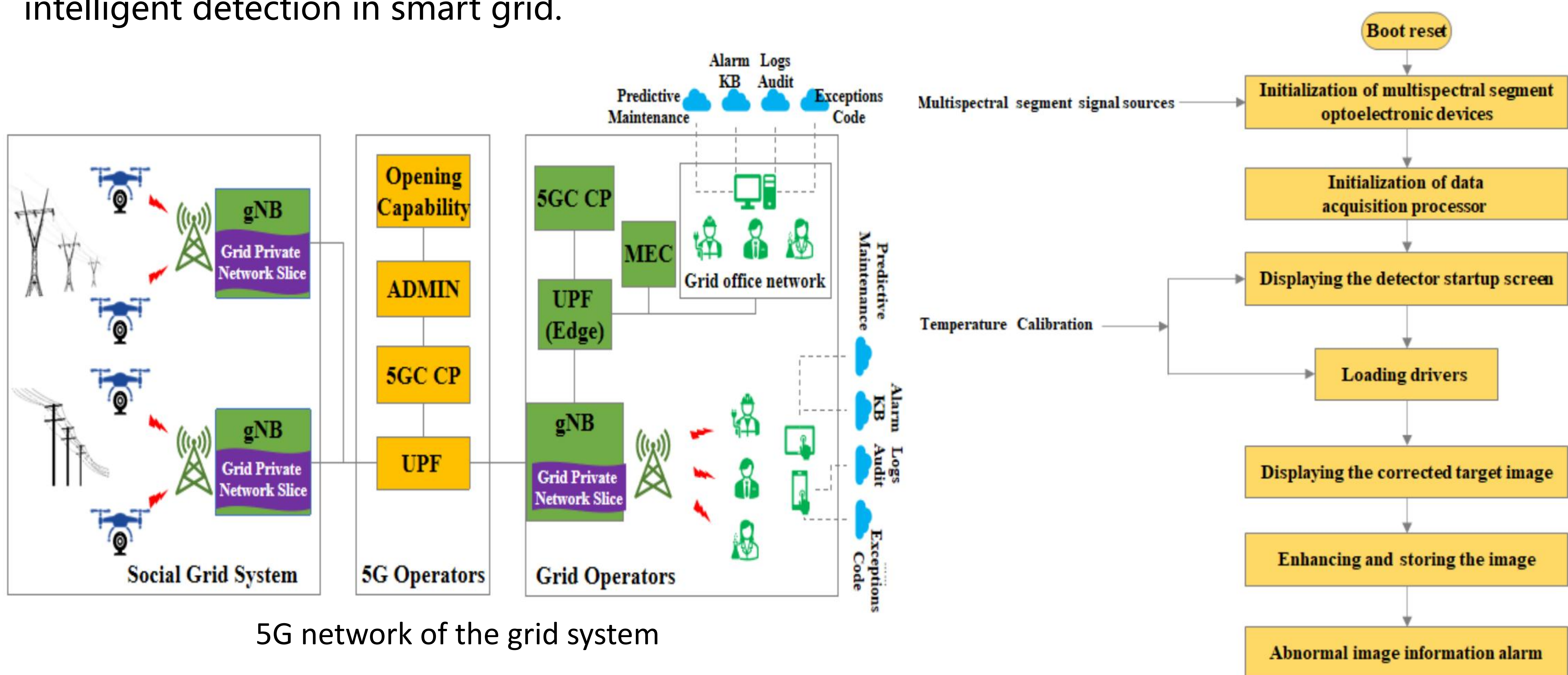


Research and Application System Design of Intelligent Inspection of Multispectral Segment Optoelectronic Devices Based on 5G

Tielin Lu

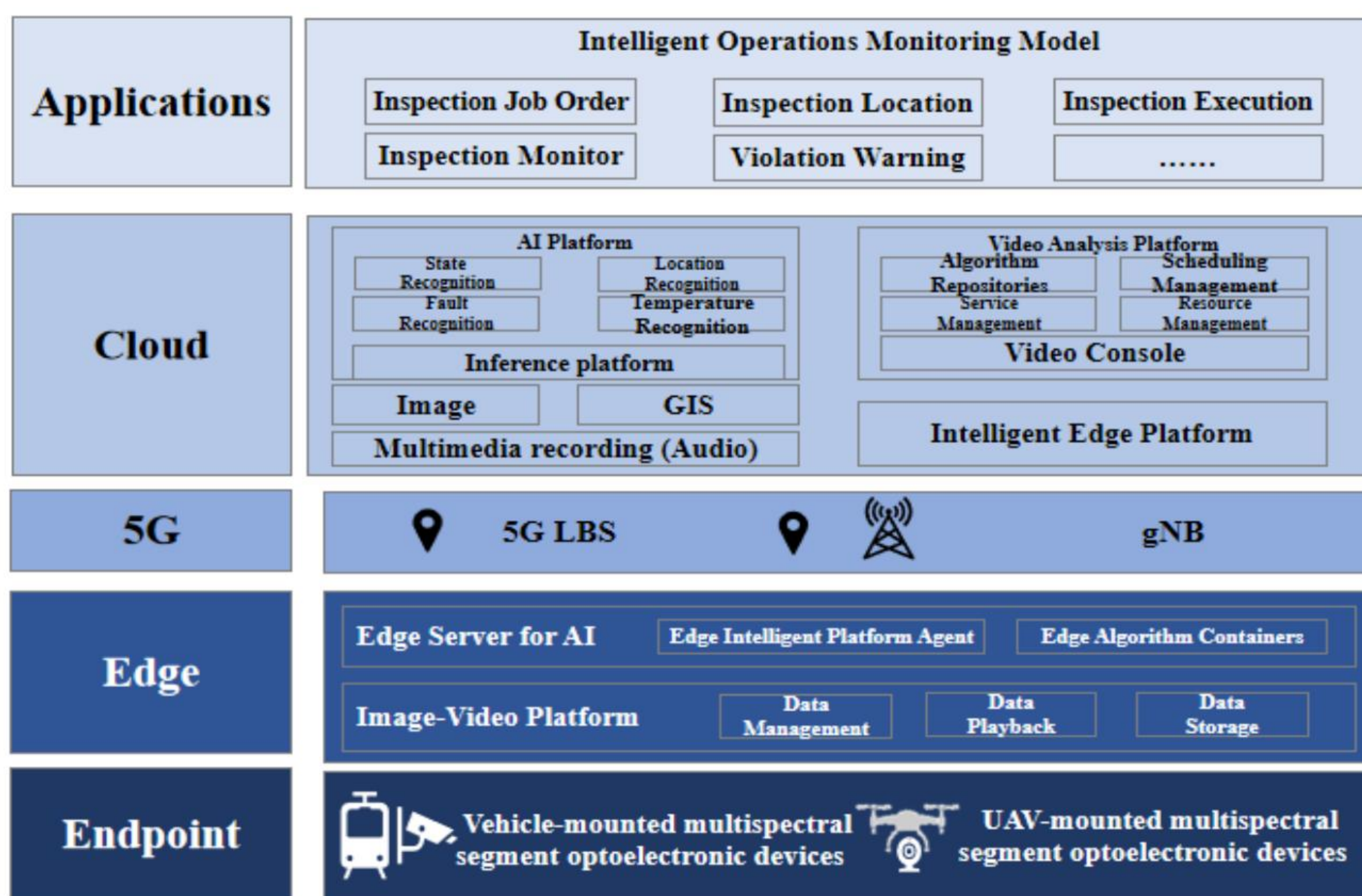
Instrumentation Technology and Economy Institute

This paper summarizes the configuration and mode of 5G network, application system of multispectral optoelectronic devices and also analyzes the intelligent detection system based on 5G scheme. Finally, we have developed a case of multi-spectral segment photoelectric detection architecture based on 5G communication structure. We have validated the application scenario of intelligent detection in the design of transmission line detection and the feasibility purpose of intelligent detection in smart grid.



5G network of the grid system

The process of inspection working system



5G with industrial vision detection system architecture

